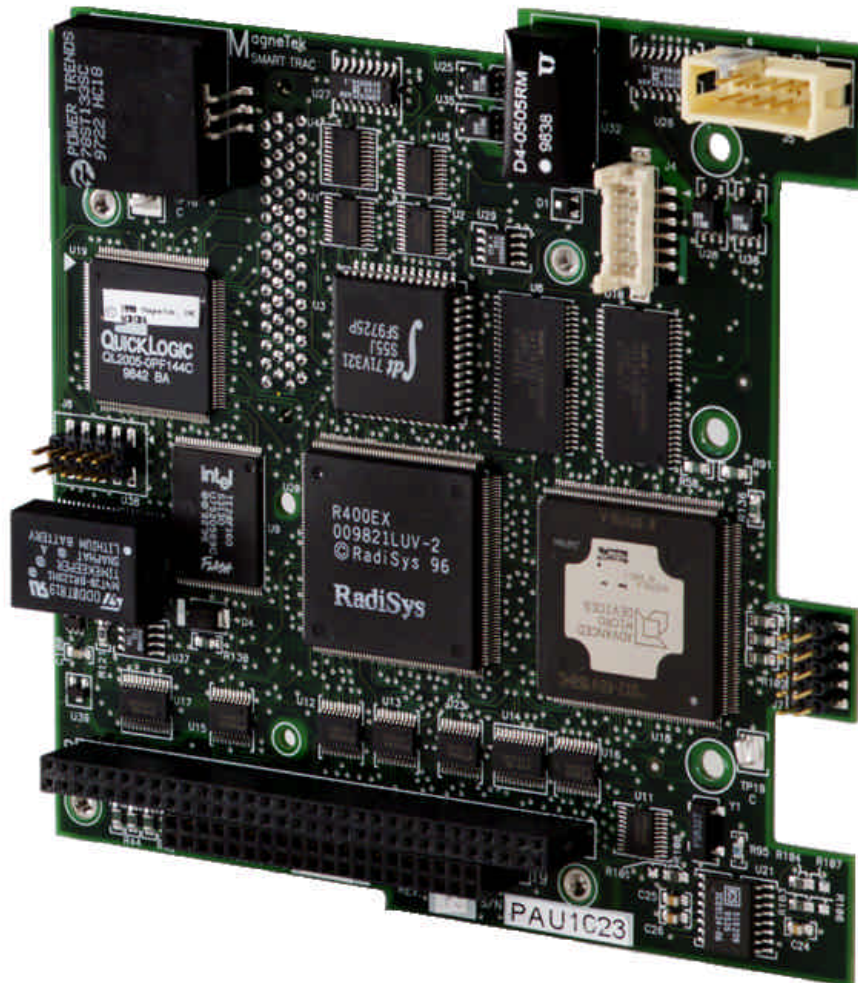

Technical Manual

SMART TRAC™ CPU Card



Contents

Important Safety and Warranty Information	1
Warnings, Cautions and Notes	1
General Safety Precautions - Warnings	2
Important Warranty Information.....	2
Smart Trac CPU Card	3
General Capabilities.....	3
Specifications	3
Quick Start.....	4
Installing the Smart Trac CPU Card	5
Unpacking	5
Electrostatic Sensitive Discharge (ESD) Procedures	5
Unpacking Procedure	5
Installing the Smart Trac CPU Card.....	5
Interrupts and Addresses Used by the Smart Trac CPU Card	9
Configuration.....	9
Default Interrupts and Base I/O Addresses	9
CPU Card Layout.....	10
Testing Card Installation	13
Booting and Power-Up Self-Test	13
Normal Boot Messages	13
Troubleshooting Your Smart Trac CPU Card	15
Operating System Status and Error Messages.....	15
Offset Kernel/Boot Download Errors to 20100 - 20149.....	18
Offset I/O Errors from 1 - 59 to 20201 - 20259.	19
Offset Trace Errors to 20300 to 20399.....	19
Troubleshooting CPU Problems.....	19
Battery Low.....	19
Problems with Other Cards.....	20
Corrective Maintenance	21
Replacing the Battery.....	21
Battery Storage	22
Proper Battery Disposal.....	22

SMART TRAC CPU Card

Appendix A – Technical Support	23
Getting Help	23
References	23
Problem Report	25
Appendix B – Replaceable Parts	27
Replaceable Parts Listing	27
Appendix C – Removing the Smart Trac Card Stack	29
General Procedures	29
Glossary of Terms	33
Index	35

Important Safety and Warranty Information

Warnings, Cautions and Notes



WARNING

A statement of conditions which **MUST BE OBSERVED** to prevent personal injury or death.



WARNING - ESD

A statement of conditions which must be observed to prevent damage to components due to ESD (ElectroStatic Discharge) and to prevent personal injury or death.



CAUTION

A statement of conditions which must be observed to prevent undesired equipment faults, Smart Trac AC1 system degradation and damage to equipment.

IMPORTANT

A statement of conditions which should be observed during Smart Trac AC DeviceNet setup or operation to ensure dependable service.

NOTE: Notes indicate information that is in addition to a discussion of the topic in adjoining text. Alternatively, it may limit or restrict the paragraph(s) that follow(s) to specific models or conditions.

TIP - Tips indicate information that should make a procedure easier or more efficient.

General Safety Precautions - Warnings

Important safety information follows. Please *read and understand* all precautions listed below before proceeding with the specification, installation, set-up or operation of your Smart Trac AC1. Failure to follow any of the following precautions may result in personal injury or death, or damage to the equipment.



WARNING - ESD

The Control Printed Circuit Board (PCB) employs CMOS Integrated Circuits that are easily damaged by static electricity. Use proper ElectroStatic Discharge (ESD) procedures when handling the Control PCB. See Smart Trac AC1 Technical Manual for details. Failure to comply may result in damage to equipment and/or personal injury.

Important Warranty Information.

Do not modify your Smart Trac AC1, its components, or any of the procedures contained in the technical documentation supplied by MagneTek. Any modification of this product by the user is not the responsibility of MagneTek and will void the warranty.

Smart Trac CPU Card

General Capabilities

The Smart Trac CPU card permits a Smart Trac AC1 to be quickly programmed for custom applications using IEC-61131-3 languages. These languages include Relay Ladder Logic (RLL), Sequential Function Charts (SFC), Function Block (FB) diagrams, Structured Text (ST), Instruction List (IL) and function blocks written in the C programming language. It also provides for easily expanded communications and/or extra Input/Output capabilities.

The card executes user's programs, provides the interface between the digital operator and the rest of the Smart Trac AC1, and communicates with other computers for download, upload and monitoring of programs and data. It connects to cards conforming to the PC/104 Specification. Several cards, including option cards, may be added to interact with the Smart Trac CPU card including: the Smart Trac PG card; Smart Trac Ethernet, Smart Trac LAN, DeviceNet, Genius PCIM, Modbus, Profi-bus communications cards; and the Smart Trac Multi-I/O card.

All option cards conform to the PC/104 Specification, Version 2.1. They stack with the Smart Trac CPU card using its PC/104 expansion bus connector. The Smart Trac CPU conforms to the PC/104 expansion bus.

Specifications

- Intel 486DX2/66 Mhz processor with 4 Megabytes RAM
- PC/104 expansion bus connector
- Executes programs compliant with IEC-61131-3 languages
- Isolated RS-232 Serial port
- 2 Megabytes programmable flash ROM
- 512 bytes Dual-port RAM
- 32 Kilobytes nonvolatile RAM
- Battery-backed real-time clock
- Chart recording buffer of up to 10 Smart Trac AC1 parameters
- On-board self-test runs at boot-up

Quick Start

1. Power OFF your Smart Trac AC1.
2. Remove all cards in the Smart Trac card stack except for the Inverter card (bottom most card of the stack). The Smart Trac CPU card is last to be removed.
3. Install the replacement Smart Trac CPU Card in your Smart Trac AC1 in the position just above the inverter card.
4. Replace all other cards in their proper position in the card stack.
5. Power up your Smart Trac AC1.
6. Set the Smart Trac system clock and any other boot menu parameters your application may require.
7. Test your Smart Trac system.

Installing the Smart Trac CPU Card

Unpacking

Electrostatic Sensitive Discharge (ESD) Procedures



WARNING - ESD

Keep electronic circuit boards in Electrostatic Discharge (ESD) sensitive protective bags when not being handled. Use proper ESD procedures (including an ESD wrist strap) when handling circuit boards. Failure to comply may result in damage to equipment.

When working with an electrostatic discharge (ESD) sensitive device, you should be grounded at all times. The easiest and most common way to provide this ground is to use an approved ESD wrist strap. The strap is secured to your wrist with a wire attached to the strap and clipped or taped to the chassis of the unit being worked on. Any static is dissipated through the wire to ground, greatly reducing the possibility of damage to the device.

It is a good idea to touch the chassis with your finger before handling any electrostatic sensitive device. Any static electricity will be discharged to chassis ground and will not be transferred to the device.

Always store devices (cards, other electronic components) in ESD protective bags when not being handled.

Unpacking Procedure

Remove the protective shipping and packing material from the card. Ensure contact wedges and other shipping devices have been removed.

Installing the Smart Trac CPU Card

The Smart Trac CPU Card must be positioned above the Smart Trac Inverter Control card.

NOTE: If replacing a Smart Trac CPU card to an existing Smart Trac card stack, see Appendix D – "Removing the Smart Trac Card Stack" before continuing.

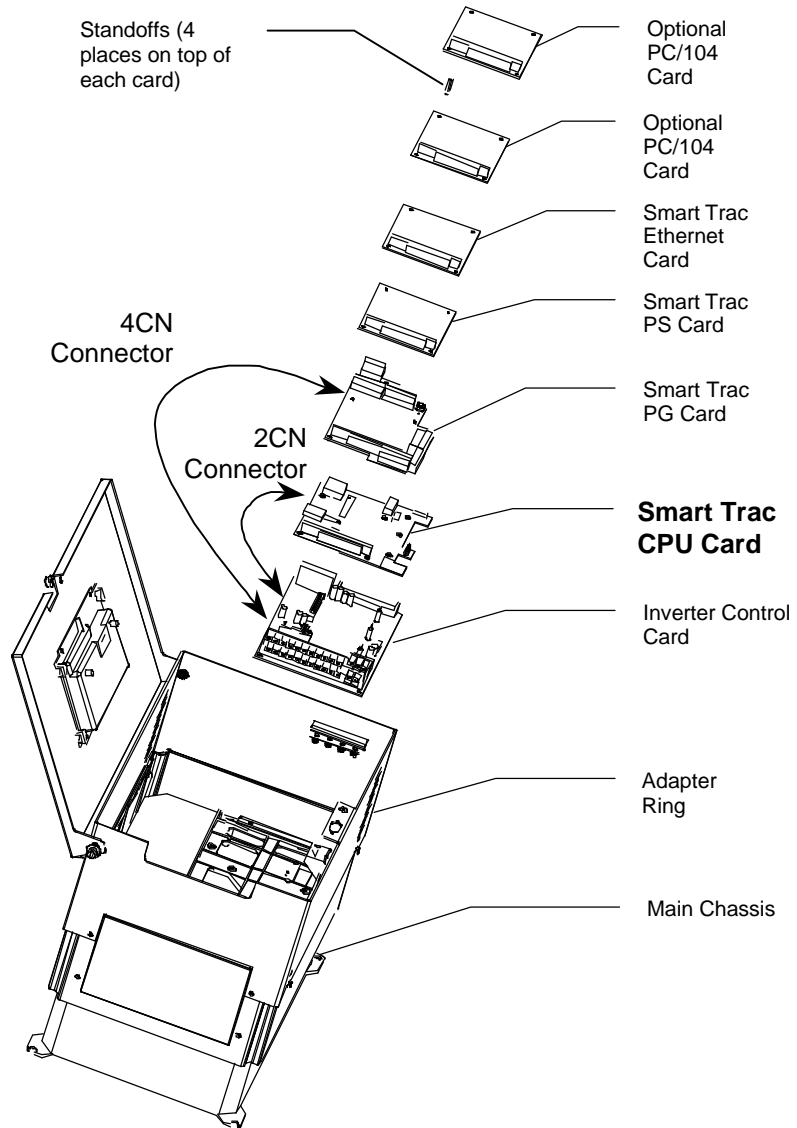


Figure 1. Smart Trac CPU Card Stack Position.

1. Install the Smart Trac CPU card. Align the male PC/104 connector pins on the Smart Trac CPU card with the female PC/104 connector on the Inverter and the standoff holes with metal standoffs on the Inverter. When in place, gently but firmly push the Smart Trac CPU card in place on the Inverter card.
2. Orient the PG card so that the PC/104 connector and the J2 connector align with the PC/104 connector on the Smart Trac CPU card and the 4CN connector on the Inverter Control board. Be careful to align the PC/104 connector pins with the receptacle on the Smart Trac CPU card so the pins don't bend when the card is pushed into place.
3. Gently but firmly push the Smart Trac PG card onto the Smart Trac CPU card. Make sure connecting pins are in alignment and J2 mates with 4CN before pushing the two boards tightly together. Secure the card using four (4) metal standoffs and one (1) plastic standoff.

4. Replace the Smart Trac PG Card and other cards by reversing the instructions in "Appendix C – Removing the Smart Trac Card Stack".

Interrupts and Addresses Used by the Smart Trac CPU Card

Configuration

No configuration switches or jumpers exist on the Smart Trac CPU card. You simply install the card and connect it as described in "Installing the Smart Trac CPU Card."

Default Interrupts and Base I/O Addresses

Interrupt	Smart Trac Use	Address
IRQ0	System, timer	
IRQ1	System, unused	
IRQ2	Not available	0x2e0
IRQ3	COM2 Serial Port	0x2f8
IRQ4	COM1 Serial Port - Digital Operator Port	0x3f8
IRQ5	Ethernet card default	0x320
IRQ6	Available for PC/104 option cards	
IRQ7	DeviceNet card default	0x250
IRQ8	System, Real-time Clock	
IRQ9	ARCNET cascaded IRQ2 default	0x2e0
IRQ10	System, Internal Heartbeat	---
IRQ11	Smart Trac Genius PCIM default	
IRQ12	Available for PC/104 option cards	
IRQ13	System, Math coprocessor	
IRQ14	Available for PC/104 option cards	
IRQ15	Not Available in Smart Trac	

Smart Trac CPU Card Layout

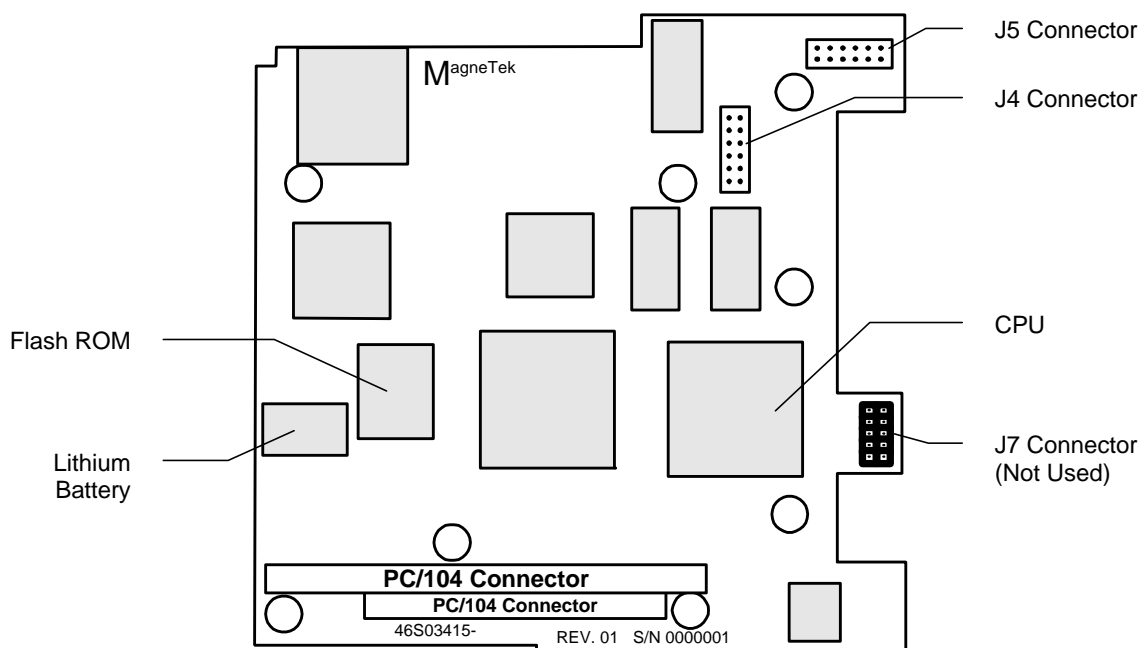


Figure 2. Smart Trac CPU Card Layout.

J5 Connector Pinout

The pinout of Smart Trac CPU card connector J5 is shown in the table below. One end of a ribbon cable plugs into J5 on the CPU card and the other end of the cable plugs into DB9 connector on the front of the Smart Trac unit. The DB9 Connector, with only 9 pins, has no connection to the J5 pin.

Smart Trac CPU card connector DB9 Pin #	Smart Trac Unit connector J5 Pin #	Signal Abbreviation	Signal Description
1	1	NC	No Connection
2	3	Tx	Transmit (from CPU)
3	5	Rx	Receive (to CPU)
4	7	NC	No Connection
5	9	C5ISO	Common
6	2	NC	No Connection
7	4	CTS	Clear to Send (to CPU)
8	6	RTS	Request to Send (from CPU)
9	8	NC	No Connection
-	10	NC	No Connection

Testing Card Installation

Booting and Power-Up Self-Test

Immediately after power-up of the Smart Trac AC1 with the CPU card installed, the validity of the operating system is checked. The Smart Trac AC1 BIOS (Basic Input Output System) performs a self-test to determine the integrity of RAM, flash memory, system timers and interrupts, among other checks. Any detected faults appear on the Smart Trac AC1 digital operator.

Next, the system loads any installed drivers. It checks the validity of the user program before starting its execution.

Once drivers are installed and the user program is validated, the system performs according to the user program, responding with diagnostics and error handling as necessary.

NOTE: If communication with the Smart Trac CPU and other cards in the Smart Trac AC1 are not established within seven (7) seconds of power-up or after about two (2) seconds without data being transferred, it will shut down. The LEDs on the digital operator will flash, indicating this lack of communication.

Normal Boot Messages

When you power-up your Smart Trac AC1, the operating system running within the CPU displays a series of messages on the Digital Operator.

If MENU key is not pressed at power up, here is what you see:

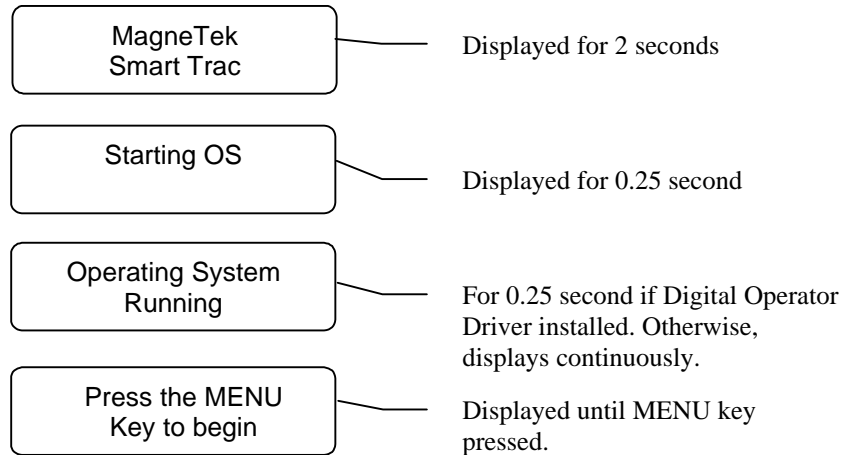
SMART TRAC CPU Card

Figure 3. Normal Boot Messages.

If you press the Menu key on the Digital Operator within 2 seconds of the start of the boot process, you will access the Boot Menu, allowing you to configure various operating parameters. These parameters include TCP/IP Configuration, Inverter Type, COM1 Configuration, Serial Download from COM1 or Flash Memory erasure or programming mode, a check of the firmware version, and Flash ROM access.

NOTE: The second boot message "Starting OS" can be read as an ASCII string, output from serial port J5.

Troubleshooting Your Smart Trac CPU Card

Operating System Status and Error Messages

Your application program may include programming code to display the following messages on the Smart Trac AC1 Digital Operator.

These errors are OR'd with 0x80000000 before displaying on the Digital Operator.

Possible Smart Trac Operating System Status and Error Messages		
Message	Hexa-decimal Address	Meaning
PCODE_SUCCESS	0x00000000	
PROG_EXIT	0x00000000	
CONTINUE	0x00000001	
INVALID_OPCODE	0x00000002	Std. Major Fault -
PSTACK_OVERFLOW	0x00000003	Std. Major Fault -
PSTACK_UNDERFLOW	0x00000004	Std. Major Fault -
PSTACK_CORRUPTED	0x00000005	Std. Major Fault -
BSTACK_UNDERFLOW	0x00000006	Std. Major Fault -
BSTACK_OVERFLOW	0x00000007	Std. Major Fault -
CSTACK_CORRUPTED	0x00000008	
OPERAND_UNDERFLOW	0x00000009	Std. Minor Fault -
DIVIDE_BY_ZERO	0x0000000A	Std. Minor Fault -
RESULT_UNDERFLOW	0x0000000B	Std. Minor Fault -
RESULT_OVERFLOW	0x0000000C	Std. Minor Fault -
INVALID_RESULT	0x0000000D	Std. Minor Fault -
ADDR_MODE_UNKNOWN	0x0000000E	Std. Major Fault -
ADDR_TYPE_MISMATCH	0x0000000F	Std. Major Fault -
DATA_TYPE_UNKNOWN	0x00000010	Std. Major Fault -
DATA_TYPE_MISMATCH	0x00000012	Std. Major Fault -
INVALID_DATA_TYPE	0x00000013	Std. Major Fault -
INVALID_ADDRESS	0x00000014	Std. Major Fault -
OPERAND2_INVALID	0x00000015	Std. Major Fault -
OPERAND1_INVALID	0x00000016	Std. Major Fault -
JUMP_OUTOF_BOUNDS	0x00000017	Std. Major Fault -
ADDR_OUTOF_BOUNDS	0x00000018	Std. Major Fault -
UNKNOWN_FLOAT_ERROR	0x00000019	Std. Minor Fault -
FSTACK_OVERFLOW	0x0000001A	Std. Minor Fault -

Possible Smart Trac Operating System Status and Error Messages		
Message	Hexa- decimal Address	Meaning
FSTACK_UNDERFLOW	0x0000001B	Std. Minor Fault -
INVALID_OPERAND	0x0000001C	Std. Major Fault -
NEG_VALUE	0x0000001D	Std. Minor Fault -
MALLOC_FAILED	0x0000001E	Std. Major Fault -
INVALID_ACTION	0x0000001F	Std. Major Fault -
IO_READ_FAILED	0x00000020	Std. Major Fault -
IO_WRITE_FAILED	0x00000021	Std. Major Fault -
CCALL_FAILED	0x00000022	Std. Major Fault -
STRING_OVERRUN	0x00000023	Std. Minor Fault -
NUM_SHIFTBITS_NEG	0x00000024	Std. Minor Fault -
INVALID_COERCION	0x00000025	Std. Major Fault -
INVALID_ADDR_MODE	0x00000026	
INVALID_BIT_NUM	0x00000027	
INVALID_DATASIZE	0x00000028	
BIT_NUM_OUT_OF_RNG	0x00000029	
INVALID_C_FUNC_PTR	0x0000002A	
INVALID_LOWER_BND	0x0000002B	
INVALID_UPPER_BND	0x0000002C	
DATE_TIME_INVALID	0x0000002D	
MSG_STRLEN_INVALID	0x00004000	
USER_TASK_HUNG	0x00007FF8	
NO_STARTUP_ROUTINE	0x00007FF9	
BREAKPOINT_SET	0x00007FFA	
OFFSET_OUT_OF_RNG	0x00007FFB	Std. Major Fault -
TASK_OVERRUN	0x00007FFC	Std. Major Fault -
TASK_RESTART_FAIL	0x00007FFD	Std. Major Fault -
WATCHDOG_TIMEOUT	0x00007FFE	Std. Major Fault -
OH_SHTUFF	0x00007FFF	Std. Major Fault -

These following error codes are not OR'ed with 0x80000000.

Hardware Abstraction Layer Error Codes.		
Message	Hexa- decimal Address	Meaning
HAL_SUCCESS	0x0000	
HAL_STARTED	0x00020000	
HAL_STOPPED	0x00020001	
HAL_INVALID_CMD	0x00020002	
HAL_NOTASKS	0x00020003	
HAL_CREATETASKFAILED	0x00020004	
HAL_TOO_MUCHDATA	0x00020005	
HAL_NOSTACKMEM	0x00020006	
HAL_FORCE_NOTENABLED	0x00020007	
HAL_FORCE_ADDRINVALID	0x00020008	
HAL_RTLIB_INDEX_ERR	0x00020009	Runtime library index error
HAL_INVALID_IOHANDLE	0x00020010	Invalid I/O handle
HAL_CANNOT_SET_FORCED_MEM	0x00020011	Cannot set forced memory
HAL_IO_LT_BIND_FAILED	0x00020012	
HAL_DOWNLOAD_ACTIVE	0x00020013	Download active
HAL_PROG_RUNNING	0x00020014	An application program is running
HAL_TASK_NOT_FOUND	0x00020015	Cannot find task in ???
HAL_MEM_CORRUPT	0x00020016	Memory corrupt
HAL_NOPROG_LOADED	0x00020017	No program loaded
HAL_START_IO_FAILED	0x00020018	Start of I/O failed
HAL_INVALID_ADDR	0x00020019	Invalid address
HAL_DOWNLOAD_INACTIVE	0x00020020	Download Inactive

Hardware Abstraction Layer Error Codes.		
Message	Hexa- decimal Address	Meaning
HAL_INVALID_TASKTYPE	0x00020021	Invalid Task Type
HAL_IOINIT_FAILED	0x00020022	I/O Initialization procedure has failed.
HAL_TASKINDEX_INVALID	0x00020023	Task index invalid
HAL_ETHERNET_DRV_BAD	0x00020024	Ethernet drive does not pass tests
HAL_ETHCFG_OPEN_FAILED	0x00020025	An attempt to open the Ethernet configuration failed.
HAL_ETHCFG_WRITE_FAILED	0x00020026	An attempt to write the Ethernet configuration failed.
HAL_NOMEM	0x00020027	No memory found during diagnostics.
HAL_THREAD_PRIO_FAILED	0x00020028	Thread priority failed.
HAL_DOWNLOAD_DISABLED	0x00020029	Download of programs and data is disabled.
HAL_NODENAME_MISMATCH	0x00020030	The nodename does not match those known by the Smart Trac system.
HAL_STATIC_STORAGE_OPEN_FAILED	0x00020031	
HAL_STATIC_STORAGE_CLEAR_FAILED	0x00020032	
HAL_STATIC_STORAGE_WRITE_FAILED	0x00020033	
HAL_STATIC_STORAGE_READ_FAILED	0x00020034	
HAL_STATIC_STORAGE_CLOSE_FAILED	0x00020035	
HAL_STATIC_STORAGE_BAD_FORMAT	0x00020036	
HAL_UNABLE_TO_CLEAR_MEM	0x00020037	Not able to clear CPU memory.
HAL_INVALID_SUBCMD	0x00020038	Invalid subcommand.
HAL_BLDNUM_MISMATCH	0x00020039	
HAL_STOP_IO_FAILED	0x00020040	An attempt to stop the I/O has failed.
HAL_INVALID_NUM_PROGS	0x00020041	The number programs indicated are invalid.
HAL_DUPLICATE_CONT_TASK	0x00020042	
HAL_TOO_MANY_CARDS_PER_TASK	0x00020043	Too many cards per task.
HAL_STATIC_STORAGE_CHKSUM_INVALID	0x00020044	A checksum test of static storage on the CPU card is invalid.
HAL_KERNEL_PROGRAM_IN_PROGRESS	0x00020045	A download of the Kernel is in progress.
HAL_INVALID_TASK_PRIORITY	0x00020046	
HAL_ADDRESS_OUT_OF_RANGE	0x00020047	A memory or I/O address is out of valid ranges.
HAL_KERNEL_DWNLD_ABORTED	0x00020048	A download of the kernel has been aborted.
HAL_NO_RT_EXEC_KEY	0x00020049	
HAL_UNABLE_TO_SAVE_RT_EXEC_KEY	0x00020050	
HAL_NUM_EXPORT_ENTRIES_MISMATCH	0x00020051	
HAL_NUM_IMPORT_ENTRIES_MISMATCH	0x00020052	
HAL_DLL_NAME_LENGTH_OVERRUN	0x00020053	
HAL_LATEBIND_IO_TOOFEW_FUNCTIONS	0x00020054	
HAL_INVALID_SW_REVISION	0x00020055	Invalid Operating System Software Revision
HAL_INVALID_RT_FUNCTION	0x00020056	A runtime library function was attempted for use but is invalid.
HAL_LOAD_LIBRARY_FAILED	0x00020057	

Hardware Abstraction Layer Error Codes.		
Message	Hexa-decimal Address	Meaning
HAL_DATA_TABLE_PTR_MISMATCH	0x00020058	A pointer within a data table does not match any known pointers.
HAL_DATA_TABLE_SIZE_MISMATCH	0x00020059	The sizes of data and the associated table are different.
HAL_INVALID_SYNC_TASK	0x00020060	
HAL_INVALID_SYNC_CARD	0x00020061	
HAL_OPERATION_NOT_SUPPORTED	0x00020062	
HAL_NO_ROOM_FOR_SOURCE	0x00020063	
HAL_NO_SOURCE_TO_UPLOAD	0x00020064	
HAL_UNABLE_TO_SAVE_SOURCE_TO_DISK	0x00020065	
HAL_SOURCE_OFFSET_INVALID	0x00020066	
HAL_INVALID_TIME_DATE	0x00020067	
HAL_NO_ROOM_FOR_DB	0x00020068	
HAL_NO_DB_MEMORY	0x00020067	
HAL_DB_INVALID_TYPE	0x00020068	
HAL_ENGINE_MISMATCH	0x00020069	
HAL_SERIAL_CMD_INVALID	0x00020070	
HAL_UNABLE_TO_OBTAIN_DATA_MUTEX	0x00020071	
HAL_CARD_NOT_FOUND	0x00020072	
HAL_ENUM_COMPLETE	0x00020073	
HAL_INVALID_DATA_TABLE	0x00020074	
HAL_INVALID_SYMTABLE_ADDR	0x00020075	
HAL_INVALID_SYMTABLE_SIZE	0x00020076	
HAL_ADDRESS_MISMATCH	0x00020077	
HAL_IO_PRESCAN_FAILED	0x00020078	

Offset Kernel/Boot Download Errors to 20100 - 20149

Offset Kernel/Boot Download Errors to 20100 - 20149.		
Message	Hexa-decimal Address	Meaning
HAL_KERNEL_ERR_OFFSET	0x00020100	
HAL_NO_KERNEL_DOWNLOAD_IN_PROGRESS	0x00020100	
HAL_INVALID_KERNEL_CHECKSUM	0x00020101	
HAL_INVALID_KERNEL_XFER_TYPE	0x00020102	

Offset I/O Errors from 1 - 59 to 20201 - 20259.

Offset I/O Errors from 1 - 59 to 20201 - 20259		
Message	Hexa-decimal Address	Meaning
HAL_IO_ERR_OFFSET	0x00020200	

Offset Trace Errors to 20300 to 20399

Offset Trace Errors to 20300 to 20399		
Message	Hexa- decimal Address	Meaning
HAL_ERR_TRACE_ENABLED.	0x00020300	
HAL_ILLEGAL_CONDITION.	0x00020301	
HAL_TRACE_PIPE_BROKEN	0x00020302	
HAL_TRACE_PIPE_OVERFLOW	0x00020303	
HAL_TRACE_PIPE_WRITE_FAILED	0x00020304	
HAL_INVALID_TRACE_HANDLE.	0x00020305	
HAL_TOO_MANY_TRACE_PARAMS	0x00020306	
HAL_TRACE_INVALID_EVENT_INDEX	0x00020307	
HAL_TRACE_EVENT_NOT_CONFIGURED	0x00020308	

Troubleshooting CPU Problems

Battery Low

Logic in Non-Volatile RAM (NVRAM) determines battery voltage each 24 hours. If a low voltage condition is detected, a message will appear on the Digital Operator.

Note: If the voltage is low, it sets a bit register. The bit may be read and interpreted by an application program, so that when the CPU Card's battery reaches a low charge state, **a message will appear on the Digital Operator.**

Problems with Other Cards

Several optional cards may be used with your Smart Trac AC1, all controlled by the CPU card. To attempt to provide detailed troubleshooting procedures for each of these in this manual would be impractical.

If you experience problems with network communications or input/output, isolate the problem to the card level and consult the specific manual that shipped with the card.

Corrective Maintenance

Replacing the Battery

An on-board Lithium battery provides power to NVRAM and maintains the system time and date. See "Smart Trac CPU Card Layout" for location of the battery on the CPU Card.

CAUTION



To avoid draining battery do NOT place SNAPHAT pins in a conductive foam.

To avoid damaging SNAPHAT sockets do NOT wave solder SOIC.

Failure to comply may result in premature battery failure.

To replace the battery:

1. Power OFF the Smart Trac AC1, lock out and tag "Out of Service."
2. Ensure all parameters held in NVRAM have been recorded. Loss of battery power or removal of the battery causes NVRAM to lose data normally retained. These values must be reentered after inserting a new battery.
3. Remove all cards above the CPU (including PC/104 option cards, Ethernet card, PS Card, and PG Card) according to "Installing the Smart Trac CPU Card."
4. Using a chip extractor tool, remove the battery from its socket on the card.
5. Carefully align pin 1 of the battery (corner of battery with the dot printed on it) and gently but firmly push into place. A key on the battery prevents you from installing it with terminals reversed.
6. Replace all cards according card replacement steps in "Installing the Smart Trac CPU Card."
7. Reenter NVRAM functions (TCP/IP address, Inverter Type, COM1 baud rate, date and time).

Battery Storage

Store batteries in a dry place. Storing unpackaged battery cells together could result in cell shorting and heat build-up.

Proper Battery Disposal

When completely discharged, this type of lithium cell is Non-Hazardous per USEPA Criteria. Dispose of batteries according to appropriate Local, State and Federal waste regulations. For unreacted Lithium Metal, see the battery reference in the Appendix to this manual.

Appendix A – Technical Support

Getting Help

Should you need technical assistance with installation or troubleshooting of your Smart Trac AC1, you can phone our Help Desk at either (800)-541-0939 or (262)-782-0200. Alternatively, you may copy the *Problem Report* form, found on the next page, and fax it to us at (262)-782-3418.

References

MagneTek Drives and Systems

For more information about MagneTek drives and systems, training programs and contacts, visit:

<http://www.magnetekdrives.com>

PC/104 Specification, Version 2.1

PC/104 Consortium. An overview and the specification may be obtained at the web site address:

<http://www.controlled.com/pc104/index.html>

Lithium Batteries Product Guide

For a copy of this publication, contact Rayovac at 608-275-4735 or visit their web site at:

<http://www.rayovac.com>

Problem Report

Name:

Address:

City:

State:

Zip

Serial Number:

Smart Trac CPU Card:

 66Mhz 100 Mhz

Occurrence: Frequently Intermittantly Rarely

Nature of Problem:

Conditions when problem occurs:

Appendix B – Replaceable Parts

Replaceable Parts Listing

Description	MagneTek Part Number	Qty
Smart Trac CPU Card option kit	46S03643-0010	1
Standoff, 4.5mm, Hex, Stl, CL ZINC, 15mm, M/F, M3, M3	05P00618-0006	3 each CPU assy.
Standoff, 4.5mm, Hex, Stl, CL ZINC, 14mm, M/F, M3, M3	05P00618-0005	1 each CPU assy.
Battery, Lithium		1
Technical Manual – Smart Trac CPU Card	TM 3415-0010	1
Card Extraction Tool	(Parvus Corporation P/N PRV-0760A-01	
Hardware Tools Kit for Smart Trac AC1	TBD	Option

THIS PAGE INTENTIONALLY LEFT BLANK

Appendix C – Removing the Smart Trac Card Stack

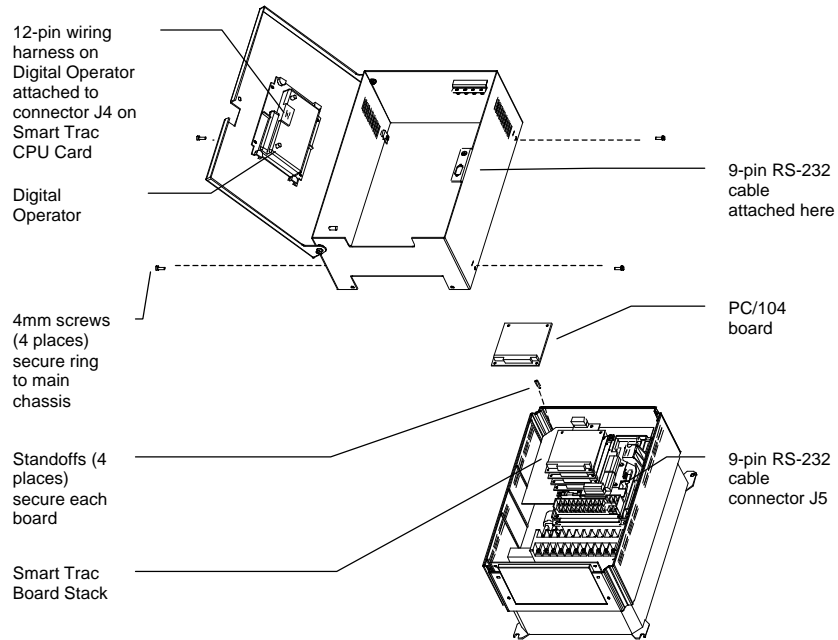
General Procedures

1. Power off the Smart Trac AC1. Disconnect it and tag "Out of Service".
2. Do one of the following:
 - Open the cover to the Smart Trac AC1 by rotating the spring-loaded, captive screw counterclockwise. Use a large screwdriver if necessary to free the slotted screw.

OR

- Loosen the screws holding down the cover.
3. Disconnect the 12-pin wiring harness from connector J4 at the digital operator.
 4. Using the Phillips head screwdriver, remove the ground strap from the left inside and the ground strap from the top inside of the Smart Trac AC1 adapter ring.
 5. Disconnect the 9-pin RS-232 cable at connector J5 on the Smart Trac CPU card.

SMART TRAC CPU Card



6. Using a 4.5mm hex head driver, remove four standoffs from the topmost card.
7. Using the PC/104 extraction tool, remove the topmost card from the stack.

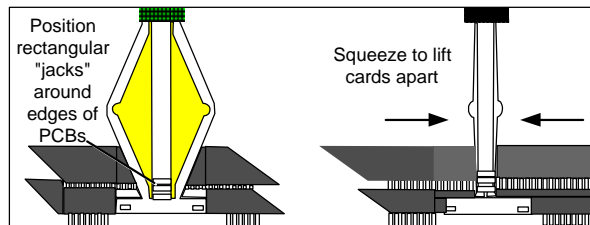


Figure 4. Using the PC/104 Extraction Tool.

8. Repeat step 8 above until all PC/104 cards have been removed.
9. To remove the Smart Trac PG card:
 - Disconnect the 4CN connector on the PG card.
 - Using a tubular extraction tool or pliers, squeeze the plastic, spring-loaded retainer built-in to the long plastic standoff located at the top of the PG card, just above connector J6.
 - Using a PC/104 extraction tool, remove the card.

NOTE: The Smart Trac PG card requires unique handling. Wedge the extracting tool between the PG card and the CPU card. The area between the terminal strip on the CPU card and the serial numbered edge of the PG card can be lifted first, then the opposite side (nearest TB1) on the PG card). Alternate sides until the card is free of the CPU card.

10. To remove the Smart Trac CPU card:

- Disconnect the card at the 2CN connector on the CPU card.
- The CPU card is secured with three plastic standoffs with spring-loaded clips on the end. Squeeze the top of the standoffs (the clips) with the special cylindrical removal tool, your fingers or needle-nosed pliers and lift the CPU card from the Smart Trac Inverter Control Card.

You have removed the entire card stack. The inverter card, considered part of the drive, is in clear view.

Glossary of Terms

Function Block	One of three Program Control Unit types. A programming language element, typically represented by a graphical block, consisting of inputs, outputs, internal variables, and a set of operations. Function blocks are instantiated and can contain state information from one invocation of an instantiation to the next.
IEC-61131-3 languages	Part 3 of the international standard on Programmable Controllers, which specifies Programming Languages, including Relay Ladder Logic (RLL), Structured Text (ST), Sequential Function Charts (SFC), Function Blocks (FB), and Instruction Lists (IL).
Instruction List	The IEC 61131-3 Instruction List language for programmable controllers. Alternatively, a program control unit developed using the Instruction List language.
PC/104 Specification	An embedded PC bus standard. The standard defines the mechanical size of a self-stacking bus. Also an IEEE draft standard, called the P996.1 Standard for Compact Embedded PC Modules, PC/104 Specification, Version 2.1, July 1994, PC/104 Consortium.
Relay Ladder Logic	An implementation of the IEC 61131-3 Ladder Diagram language.
Sequential Function Charts	The IEC-61131-3 defined Sequential Function Chart language used for programmable controllers or a program control unit developed using Sequential Function Chart language.
Structured Text	The Structured Text language specified by IEC 61131-3 used in programmable controllers. It provides a structured programming environment similar to that in the computer programming language PASCAL.

THIS PAGE INTENTIONALLY LEFT BLANK

Index

B

Battery 19
BIOS 11
Booting 11

C

Configuration 9, 12, 15
CPU 25
CPU Card Layout 10, 19

D

Default Interrupts and Base I/O
Addresses 9

E

Electrostatic Sensitive Discharge 5
Error Codes
Hardware Abstraction Layer 14
Errors
Offset I/O 16
Offset Kernel/Boot Download 16
Offset Trace 17
ESD 5
ESD Procedures 2, 5
extraction tool 26

G

Getting Help 21
ground 5

H

Hardware Abstraction Layer 14
Help 21
Help Desk 21

I

information, safety 2
Installation 5, 9, 19
Inverter 4–6, 4–5, 12, 19, 27

L

Layout, CPU Card 10, 19

M

MENU key 11–12
Messages, Normal Boot 11
Messages, Status and Error 13

N

Normal Boot Messages 11

O

Offset I/O Errors 16
Offset Kernel/Boot Download
Errors 16
Offset Trace Errors 17
Optional Parts 23

P

parts
optional 23
PC/104 21

R

reference 20
Removing 5, 7, 25
Replacing the Battery 19

S

safety 1–2
safety information 2
Self-Test 3, 11
static electricity 2, 5
Status and Error Messages 13
strap
wrist 5

T

Technical Manual 2
tool, extraction 26
troubleshooting
Help Desk 21

SMART TRAC CPU Card

Troubleshooting Your Smart Trac
CPU Card 13

W

warranty 1–2

Warranty 2

wrist strap 5

SMART TRAC CPU Card

Data subject to change without notice. Smart Trac is a trademark of MagneTek, Inc. MicroTrac is a registered trademark of MagneTek, Inc. Microsoft, Windows and Windows NT are registered trademarks of Microsoft Corporation

MagneTek
Drives and Systems
16555 West Ryerson Road
New Berlin, WI 53151
(800) 541-0939, (262) 782-0200, FAX (262) 782-3418

